



WEVER & DUCRÉ
LIGHTING

SQUBE on base 1.0 LED

144264B2

Project
Type
Notes
Quantity
Date

GENERAL

Ceiling
 Surface
 Jet Black
 IP20
 Interior
 415 lm
 RAL 9005^a

LED

2700 K
 CRI 80
 L70 B50 / 50000h
 3-step binning

OPTICAL

Beam angle 39°

PHYSICAL

Diameter 55 mm
 Height 119 mm
 0.43 kg
 Tilt min 90°
 Tilt max 90°

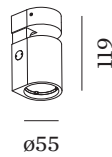
ELECTRICAL

phase-cut dim
 220 - 240 V
 Total connected power 7.9 W
 Class 1
 Safety distance 0.3 m

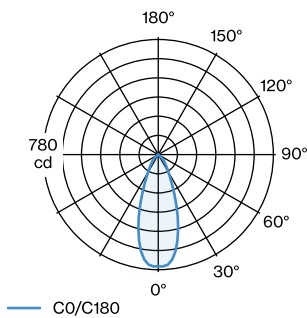
^a Color may deviate slightly due to production conditions.



Ceiling surface spotlight made from die-cast aluminium; surface Jet Black; powder coated; matt texture; RAL 9005; inner ring black; with COB (Chip on Board) technology for maximum efficiency; no appearance of multiple shadows; phase-cut dim; light colour 2700 K; binning initial MacAdam 3 SDCM; CRI 80; 220 - 240 V; beam angle 39°; 90° tiltable; degree of protection IP20; PCI; power supply included; light source replaceable by an authorized professional;



LIGHT DISTRIBUTION



[144264B2pre] The technical data represent rated values for an ambient temperature of 25°C. The data values for the luminous flux are initially subject to a tolerance of +/- 10%, those for the electrical connected load are initially subject to a tolerance of +/- 10%, and those for the colour temperature are initially subject to a tolerance of +/- 150 K. No liability is assumed for typographical or printing errors. The general terms and conditions of Wever & Ducré BV apply.
© Wever & Ducré BV · Spinnerijstraat 99/21 · 8500 Kortrijk · Belgium · www.weverducre.com



WEVER & DUCRÉ
LIGHTING

SQUBE

on base 1.0 LED

144264B2

CONE DIAGRAM

39°

h (m)	E0° (lx)	ø (m)
1	758	0.70
2	189	1.40
3	84	2.10
4	47	2.80
5	30	3.50

Maintenance Factors

Operating Time [h]	10 000	20 000	30 000	40 000	50 000
LLMF	0.95	0.9	0.85	0.8	0.76
LSF	1	1	1	1	1

MF	LMF × RSMF × LLMF × LSF	RSMF ^a	Room Surface Maintenance Factor
MF	Maintenance Factor	LLMF	Lamp Lumens Maintenance Factor
LMF ^a	Luminaire Maintenance Factor	LSF	Lamp Survival Faktor

^a According to "CIE 97, Maintenance of indoor electric lighting systems", 2005, ISBN 3-900-734-34-8. The values must be determined by the planner.

ELECTRICAL

Dimmer

TYPE	COLOUR	L · W · H (MM)	ORDERCODE
Dimmer for switch	Black	18·48·46	9 0 0 1 9 0 1 7
DIMMER DIN RAIL	White	55·17·90	9 0 0 1 9 0 1 8